



SPOTLIGHT



Issue 5

Autumn Term 2012

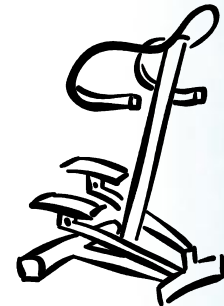
Parents' Information Newsletter

HOUSE NEWS

- This year the four Houses at Poltair School are joining forces and supporting four charities with the aim of raising a total of £10,000. Throughout the school year pupils will have opportunity to take part in exciting activities such as a Santa Fun Run, a Christmas Fete, Egg and Spoon race and many more. Please help support pupils, if possible, by offering sponsorship and donations to our charities. The school has decided that this year's chosen charities will be Mount Edgcombe Hospice, Little Harbour Children's Hospice, Help for Heroes and WaterAid. Money raised from all houses will then be split between the four charities.



- It's back again! The Tewington House is cycling for 24 hours for Charity on the 26-27 October. Pupils will be camping out in the school's main hall while keeping 2 exercise bikes cycling for 24 hours. Tewington House members taking part in the event will be announced shortly. Please help support the school's four charities by sponsoring pupils taking part and offering donations.



PE House Competition

THE PE DEPARTMENT ARE HOLDING A
HOUSE COMPETITION FROM
MONDAY 22ND OCTOBER – FRIDAY 26TH OCTOBER

THE BOYS WILL BE COMPETING IN 7-A-SIDE FOOTBALL
THE GIRLS WILL BE COMPETING IN 7-A-SIDE BENCH BALL

You can collect an entry form from your Head of House.

Once your entry form is complete, hand the form back to your Head of House
before Wednesday 17th October.

Dates of fixtures:-

Y11s	Monday 22 nd
Y10s	Tuesday 23 rd
Y9s	Wednesday 24 th
Y8s	Thursday 25 th
Y7s	Friday 26 th



HOUSE STARS



TEWINGTON

Jack Craddock
8CH

For fantastic drawings and achievements in science.

Hannah Elliott
10SAH

For being keen to be involved in tutor activities and for representing the school out of school hours.

TREVERBYN

Thomas Tyrrell
7AR

For achieving level 6 in his Art and for displaying the 5Ps.

Keagan De Carvalho
10KW

For his contributions to the PE Department and for having 100% attendance, excellent punctuality and 0 behaviour points.

TRENANCE

Lewis Clapham
8RMc

For always being positive and helpful.

Jasmine Symons
10LM

For always demonstrating a positive attitude.

TREGREHAN

Josh Bickley
8ABR

For receiving the most vivos in his tutor group.

Amy Floyd-Norris
11SG

For helping a new student.

DATES FOR DIARY

Friday 26 to Saturday 27 October

Tewington House 24hr Sponsored Cycle Event

Monday 29 October to Friday 2 November

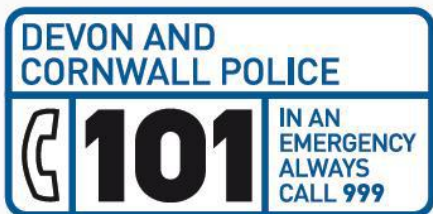
Half Term

Monday 5 November

Staff Training Day (no pupils in school)

Art Work

Last year's Year 11s are welcome to come and collect their GCSE Art work from Mrs Pearson and Mrs Whitbread-Aburutat. Please sign in at reception before going to the Art Department.



The non-emergency number for police is 101. The old number 08452 777444 has now been switched off.

The 101 number was introduced across the country in September 2011 to make it easier for the public to remember the number to contact police in a non-emergency. Calls to 101 only cost 15 pence from a landline or mobile phone, no matter what time of day, where you are calling from in England and Wales or how long the call lasts.

People should call 101 when a crime has already happened, to give information about a crime or to speak to your local officer. The number is available 24 hours a day, seven days a week. 101 should not be used for emergencies. The 999 number is still the number to call in emergency situations where life is threatened, people are injured, offenders are nearby or if immediate action is required with an urgent response.

Pelyn Veterinary Group - Student Invitation to Open Event / Careers Event

Pelyn Veterinary Group has an open event on Saturday 13 October between 2.00 and 5.00 pm. The team will be available to speak to potential Nurse and Vet students and give information and advice. We have seen a lot of students at the careers fairs we attend, but would like to offer them the chance to drop in to our practice and have a look around and see what we get up to! We would particularly like to invite Years 9-11, who I know are currently studying their option choices and taking GCSE exams.



Renay Rickard RVN CVPM
Practice Manager
Pelyn Veterinary Group
8 Kings Avenue, St Austell

Operation Christmas Child 2012 – Shoe Box Appeal

We are supporting the Christmas 'Shoe Box Appeal' which has been running now for 22 years by Samaritan's Purse International Relief. Please log on to www.operationchristmaschild.org.uk to find out further information and instructions on how to fill a shoe box. Pupils can bring their donated boxes in to school and pass on to Mrs Peters, either directly or through the school reception.

Thank you for your help in supporting this worthy cause.

Mrs Peters



CORNWALL COLLEGE INFORMATION EVENT

Thursday 18th October 5pm – 7.30pm

- A-levels
- Arts, Media & Performing Arts
- Business, Administration & Law
- Catering & Hospitality
- Construction Trades
- Engineering & Motor Vehicle
- Hair & Beauty
- Health, Care & Early Years
- Information & Communication Technology
- Preparation for Life & Work
- Science & Animal Management
- Sport & Public Services
- Travel & Tourism
- Apprenticeships

For details of courses available at each campus text **ADVICE** to 60081

www.cornwall.ac.uk



Spotlight on Maths

Message from Mr Butterworth Deputy Head of Maths

Last year was a fantastic year for the maths faculty and our students. Year 11 achieved the highest pass rate for maths in recent years and we are on track to smash that record with some very encouraging results at the end of Year 10.

We will be welcoming back Mrs Kellow from her maternity leave after half term and welcome Mr Sugden to our maths team as Coordinator of Numeracy.

Coming up this term a selection of Year 11s will be visiting Dartmoor, along with students from Pool School, to develop their maths skills by applying it to real-life situations. Also, we are in the early stages of organising a cross curricular trip, with Miss Hughes in Geography for Year 8 students to visit the Eden Project.

We are very excited by the year ahead, and if you have any queries or concerns regarding your son or daughter, please do not hesitate to contact me.

Mr J Butterworth jbutterworth@poltair.cornwall.sch.uk



Revision Classes

Tuesday – Year 11
Foundation Revision
in S15 with Mr Butterworth

Wednesday – Year 11
Higher Revision in S15
with Mr Butterworth

After the Christmas holidays
there will be revision classes
available for Year 10 students.

Kit Sugden



- 1) **What exactly do you do at Poltair?** I am Co-ordinator of numeracy and teacher of mathematics. I support all staff in using numeracy in their lessons.
- 2) **What is your favourite meal?** Too many and it changes seasonally. But anything with cheese.
- 3) **If you were not a teacher what would you be?** A Sky Dive and Surf Instructor.
- 4) **Who is your hero?** Bruce Lee. "Knowing is not enough, we must apply. Willing is not enough, we must do."
- 5) **Who is your favourite band?** The Cat Empire.
- 6) **What is your favourite book?** Labyrinths by Jorge Luis Borges. Fantastic!
- 7) **Name one thing that perhaps people don't know about you?** I'm a 2nd Dan black-belt kickboxing instructor.
- 8) **What do you enjoy most about Poltair?** The pupils sense of community.
- 9) **What do you treasure most?** A bracelet left to me by my uncle.
- 10) **What one thing would you change in the world today?** Needless suffering.

The log in for www.mymaths.co.uk has changed. It is now:

Login – poltair

Password – shape

MyMaths is a fantastic website to enable your son or daughter to develop their maths skills. Some teachers will set the homework using MyMaths, however, it is also recommended that students use MyMaths for their revision. Students undertaking the foundation paper should work through the Level 6 and Ds2Cs booster packs, while those taking the higher paper should work through the Cs2Bs and A/A* booster packs.

If a student completes one or two additional tasks a week it will significantly improve their chances of achieving the best grade possible in their exams.



MyMaths Clinic

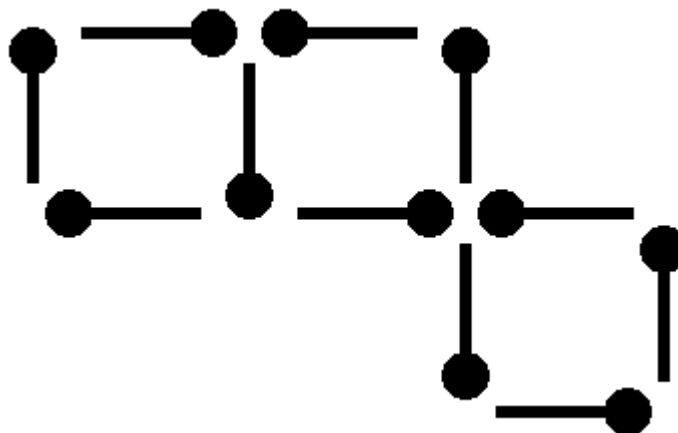
Thursday lunch time – All years in S18 with Mr Parsloe

Thursday after school – All years in S18 with the maths team

Maths Puzzle

Please write down your answers on a piece of paper and hand in to Mr Sugden by Friday 26th October. The winners will be announced after half term and will be rewarded with 50 VIVOs.

In this diagram 11 matches make 3 squares:



Your challenge is to move 3 matches to show 2 squares